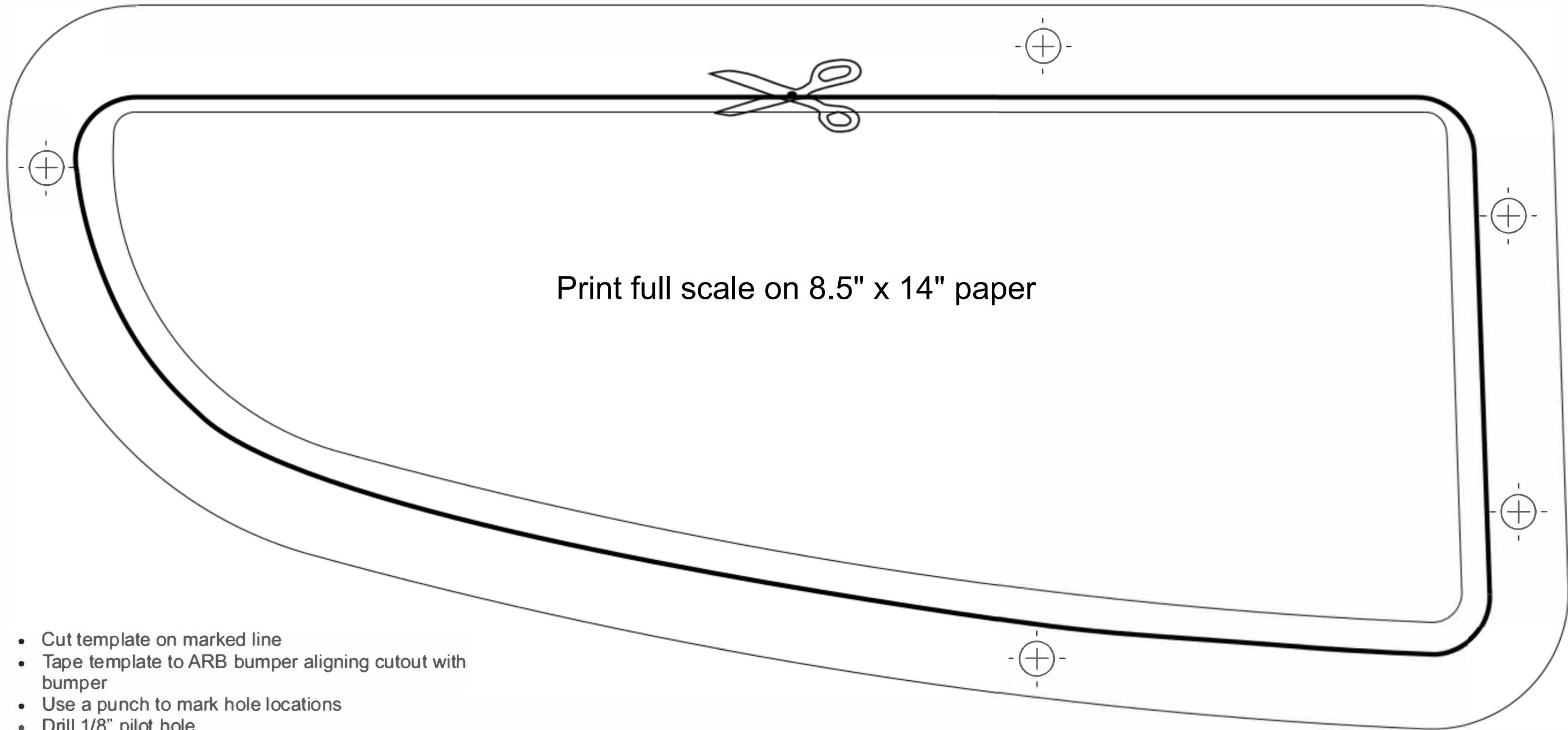


# Passenger Side Template



Print full scale on 8.5" x 14" paper

- Cut template on marked line
- Tape template to ARB bumper aligning cutout with bumper
- Use a punch to mark hole locations
- Drill 1/8" pilot hole
- Drill final hole with 5/16" drill