



www.sleeoffroad.com

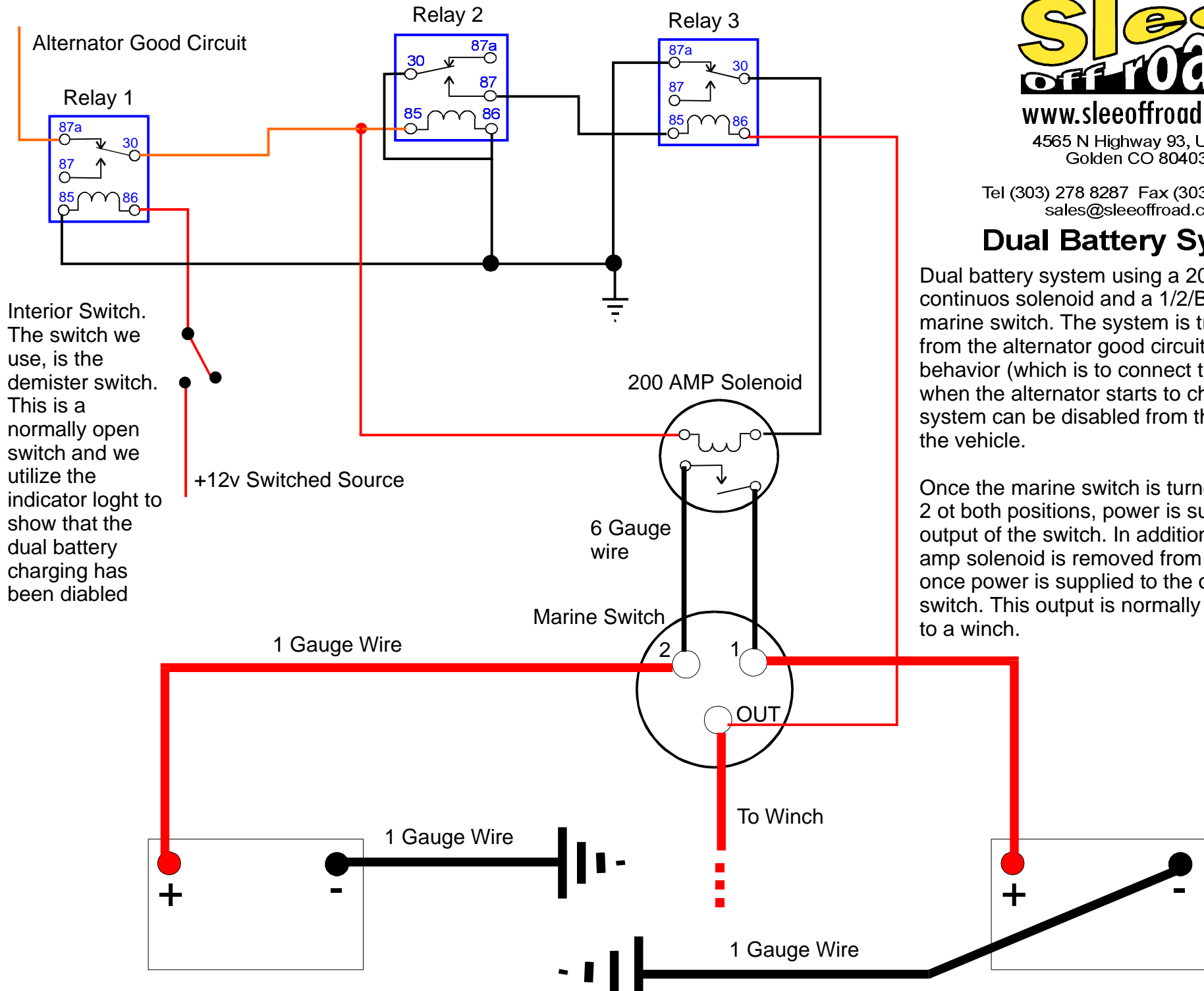
4565 N Highway 93, Unit 2  
Golden CO 80403

Tel (303) 278 8287 Fax (303) 278 4007  
sales@sleeoffroad.com

## Dual Battery System

Dual battery system using a 200 amp continuous solenoid and a 1/2/Both 300 amp marine switch. The system is triggered from the alternator good circuit. The default behavior (which is to connect the batteries when the alternator starts to charge) of the system can be disabled from the interior of the vehicle.

Once the marine switch is turned to the 1, 2 or both positions, power is supplied to the output of the switch. In addition, the 200 amp solenoid is removed from the circuit, once power is supplied to the output of the switch. This output is normally connected to a winch.



Interior Switch.  
The switch we use, is the demister switch. This is a normally open switch and we utilize the indicator light to show that the dual battery charging has been disabled

+12v Switched Source

200 AMP Solenoid

6 Gauge wire

Marine Switch

1 Gauge Wire

1 Gauge Wire

To Winch

1 Gauge Wire