

Interior winch controls for FZJ80 Series

Circuit diagram to install interior winch controls. The circuit is based on using the Antenna switch from a 1995-97 FZJ80 LandCruiser and a 5 Pin Warn Remote.

The circuit duplicates the function of the remote and can be tied into the solenoid box, or coupled to an 5 pin plug that plugs directly into the solenoid box.

The antenna switch is used to ground the circuit and the relays are powered by 12v from the winch (WHITE). RED-BROWN is switched for both IN and OUT, but GREEN and BLACK receives 12 V via the relays when the switch is pushed.

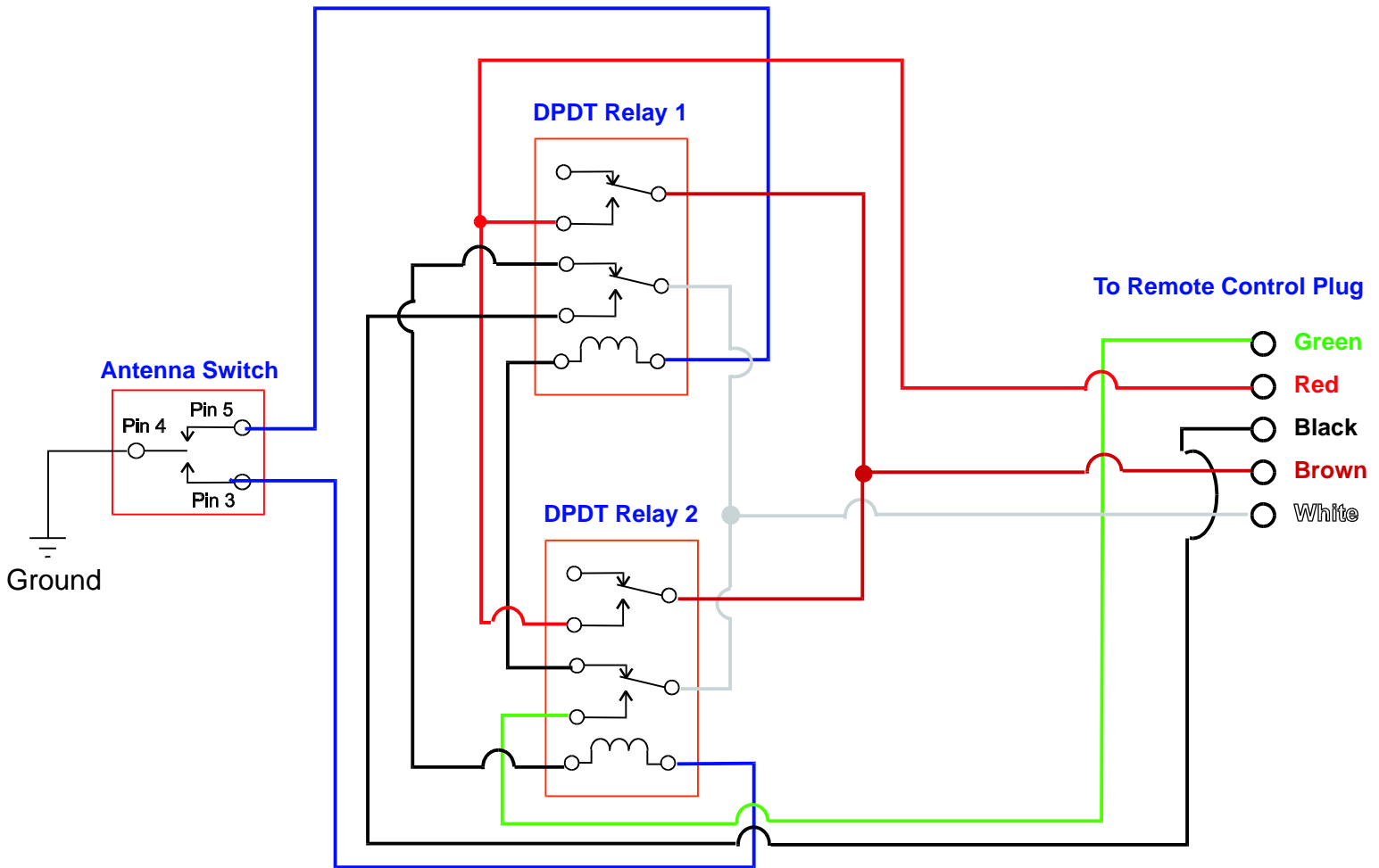
Since both buttons on the switch can be pushed at the same time, the relays are used to prevent power to both IN and OUT circuits of the remote at the same time.



Copyright © - 2000

846 S Robb Way
Lakewood CO 80226

Tel (303) 988 2251 Fax (303) 988 6186
sales@sleeoffroad.com



Remote control Circuits

- Green + 12 V Supplied to Winch
- Red - Brown Ground circuit Switched for IN and OUT operation
- Black + 12 V Supplied to Winch
- White + 12 V Supplied from Winch

NOTE: WARN DOES NOT ENDORSE INTERIOR WINCH CONTROLS. SLEE OFFROAD DOES NOT ACCEPT ANY RESPONSIBILITY FOR THE CORRECTNESS OR USE OF THIS CIRCUIT DIAGRAM.